



medical **ECONET**
GERMANY



mex+20 mex+20 lite

Light weight portable X-ray

- Light weight and compact size with durable cover
- Constant X-ray output without influence of line power fluctuation
- Auto distance control by laser beam
- Equipped with new remote control functions
- Flat touch panel, digital display, LED display reverse
- Strong body against external shock and contamination

Specifications

Model	meX+20 lite	meX+20
Output		
Tube Vol./Current	90 kV / 20 mA	100kV / 20 mA
Voltage range	40 - 90 kV in 1 kV steps	40 - 100 kV in 1 kV steps
mAs Range	0,3 mAs - 50 mAs 22 steps	0,3 - 50mAs, 22 steps
Max. output	1,6 kW at 80 kV	1,6kW at 80 kV
X-ray Tube		
Application	Toshiba D - 124	Toshiba D - 124
Focal Spot	1,2 mm	1,2 mm
HU capacity	20 kHU	20 kHU
Cooling rate	250 HU/sec	250 HU/sec
Collimator		
Min. Light field: 5 cm x 5 cm @ 1 m SID		
Max. Light field: 35 cm x 35 cm @ 65 cm SID		
Lamp	40W Halogen	LED
Auto Timer	30 sec.	30 sec.
SID scale length	2 m	2 m
Laser Pointer	single laser	dual laser
Power		
Input	220/240 V	220/240 V
Frequency/phase	50/60 Hz, single phase	50/60 Hz, single phase
Voltage comp.	± 10%	± 10%
Features		
7 - segment LED read out reversible, Hand switch remote control function		
PROM Memory	4 APR	4 APR
Weight	8,6 kg	9,8 kg
Dimensions	230 x 192 x 340 mm	220 x 200 x 352 mm

Optional Accessories

PXMS - 1800 Mobile Stand



Standard Accessory

Hand switch

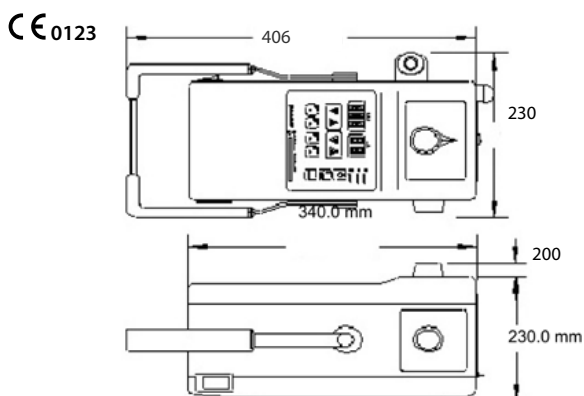


Aluminium Carrying Case

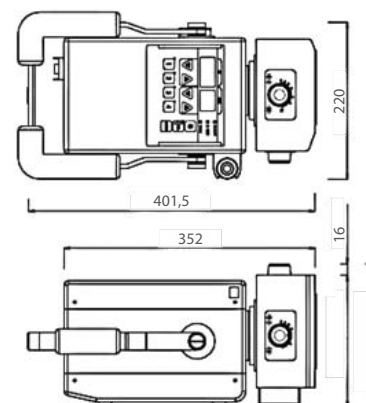


Dimensions (mm)

meX+20 lite



meX+20



Im Erlengrund 20, 46149 Oberhausen - Germany

t: +49 (0) 208 377 890-0 info@medical-econet.com
 f: +49 (0) 208 377 890-55 www.medical-econet.com
 facebook.com/medicaleconetgermany
 twitter.com/medicaleconet

Distributor