



medical **ECONET**
GERMANY



All devices battery powered

All devices with LED collimator

All devices with dual laser



meX+ 20BT lite
meX+ 20BT
meX+ 40BT

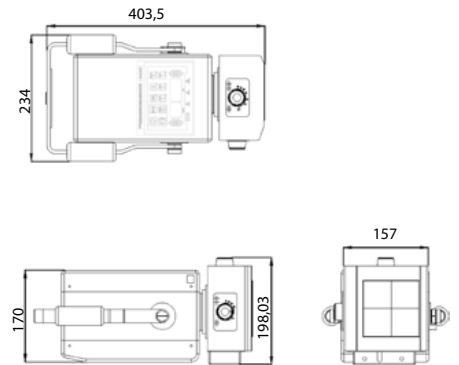
- **HYBRID** - Devices can be operated by internal battery or by external power supply
- Great advantage for outdoor radiography
- Innovative approach by high performance lithium-ion polymer battery
- Up to 650 exposures by just one charging
- Strong body against external shock and contamination
- Exclusive remote controller using by hand switch
- Fully charge only within 4 hours

Specifications

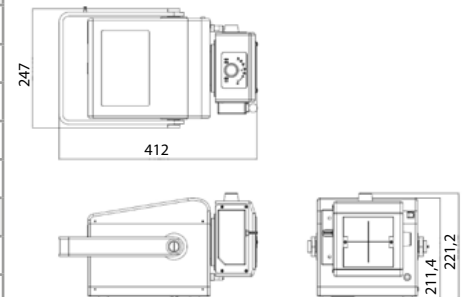
Model	meX+20BT lite	meX+20BT	meX+40BT
Output			
Tube Vol./Current	90kV / 20 mA	100kV / 20 mA	100kV / 35 mA
Voltage range	50 - 90 kV in 1 kV steps	40 - 100 kV in 1 kV steps	40 - 100 kV in 1 kV steps
mAs Range	0,4mAs - 20mAs 25 steps	0,4 mAs - 50 mAs 32 steps	0,4 mAs - 100 mAs 35 steps
Max. output	1,6 kW at 80 kV	1,6kW at 80kV	2,4 kW at 80 kV
X-ray Tube			
Application	OX / 70 CEI	Toshiba D - 124	Toshiba D - 124
Focal Spot	1,2 mm	1,2 mm	1,2 mm
HU capacity	10 kHU	20 kHU	20 kHU
Collimator			
Max. Light field: 35 cm x 35 cm @ cm SID Min. Light field: 5 cm x 5 cm @ 100 cm SID			
Lamp	LED	LED	LED
Laser Pointer	built-in dual laser	built-in dual laser	built-in dual laser
Power			
Input	110/220 VAC (Free-Voltage)	110/220 VAC (Free-Voltage)	110/220 VAC (Free-Voltage)
Frequency/phase	50/60Hz, single phase	50/60Hz, single phase	50/60Hz, single phase
Voltage comp.	± 10 %	± 10 %	± 10 %
Features			
7 - segment LED read out reversible, Hand switch remote control function			
WIFI DR Interface	optional	optional	optional
PROM Memory	15 APR	15 APR	21 APR
Weight	7,2 kg	11,2 kg	14,2 kg
Dimensions	203 x 174 x 307 mm	225 x 170 x 340 mm	250 x 214 x 349 mm
Battery			
Type	Li-polymer	Li-polymer	Li-polymer
Capacity (mAh)	4800	4800	4800
Exposures full charge	max. 560 at 80 kV / 2 mAs	max. 560 at 80 kV / 2 mAs	max. 650 at 60 kV / 3,2 mAs
Charging time	4 hours	4 hours	4 hours

Dimensions

meX+20BT



meX+40BT



Standard Accessory

Charger, Battery & Hand switch



Aluminium Carrying Case

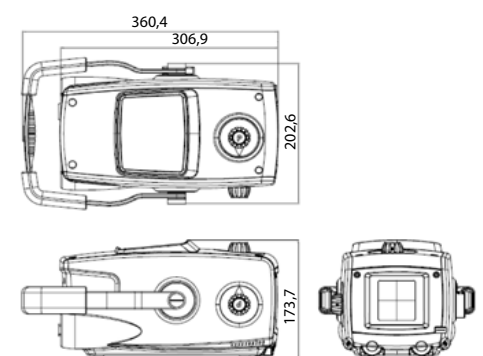


Optional Accessories

PXMS - 1800 Mobile Stand



meX+20BT lite



medical **ECONET**

Im Erlengrund 20, 46149 Oberhausen - Germany

t: +49 (0) 208 377 890-0 info@medical-econet.com
f: +49 (0) 208 377 890-55 www.medical-econet.com
facebook.com/medicaleconetgermany
twitter.com/medicaleconet

distributor